

ASSKEA M30^{PLUS}

The all-rounder in the medical sector
of mobile secretion aspiration
with the extra plus in suction power



High battery capacity with a runtime up to 40 minutes in battery mode

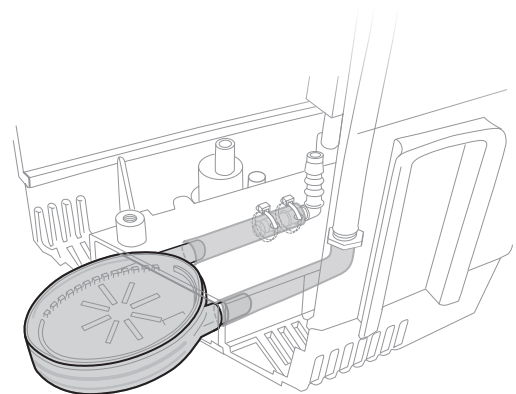


High reliability – no compromises in durability and performance



Quick and safe reprocessing through the easy replacement of the double filter when changing patients

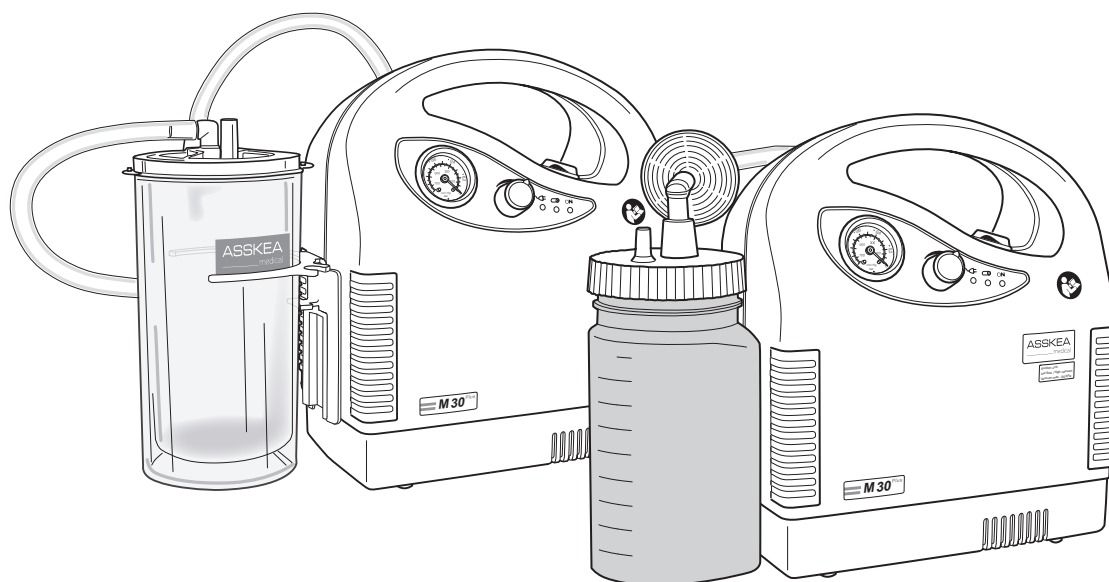
The ASSKEA M30^{PLUS} is a network-independent, mobile medical suction device and is used for temporary removal of suction material in the head and neck region from natural or artificial body openings.



- mobile, medical suction device
- double filter system protects the inside of the device against contamination
- disposable or reusable secretion canisters
- choice of battery or mains operation
- high battery capacity
- various accessories
- high suction power
- low reprocessing costs

ASSKEA M30^{PLUS}

Technical details



| Performance characteristics | Specification |
|--|--|
| Flow rate (measuring point at suction tube nozzle) | max. 30 l/min ± 3 l/min |
| Vacuum | max. -90 kPa |
| Canister | reusable secretion canister system (1 l) disposable secretion canister system (1 l) |
| Suction tube | Ø 6 mm (internal), length 150 cm |
| CE marking | CE 0494 |
| Dimensions of the device without accessories (H x W x D) [in mm] | 290 x 259 x 130 |
| Weight (device without accessories) | 3,6 kg |
| Operating time | 40 minutes ON, 10 minutes OFF |
| Item number | 100004PLUS-EW (device with disposable secretion canister system) 100004PLUS-MW (device with reusable secretion canister system) |