

## ASSKEA M20

The classic choice in the medical sector for mobile secretion aspiration



High battery capacity with a runtime up to 45 minutes on battery operation

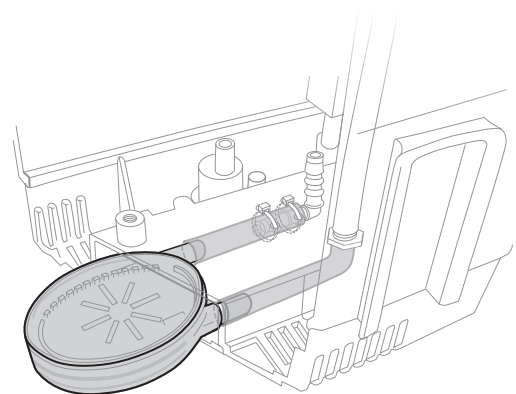


High reliability – no compromises in durability and performance



Quick and safe reprocessing through the easy replacement of the double filter when changing patients

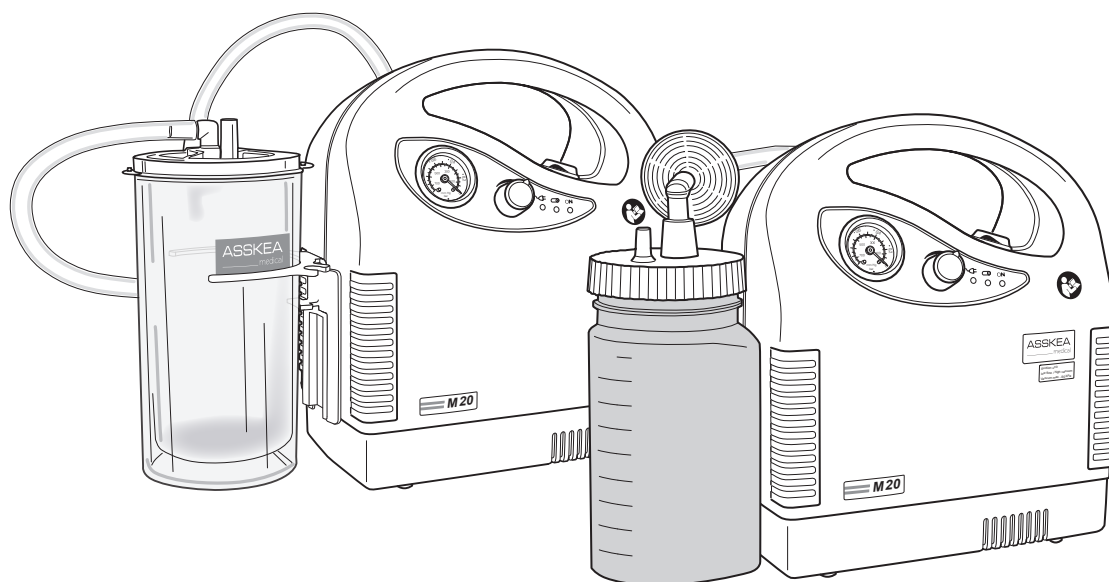
The high manufacturing quality of the ASSKEA M20 is a benchmark in medical technology. The ASSKEA M20 is a network-independent, mobile medical suction device and is used for temporary removal of suction material in the head and neck region from natural or artificial body openings.



- mobile, medical suction device
- choice of battery or mains operation
- double filter system protects the inside of the device against contamination
- high battery capacity
- disposable or reusable secretion canisters
- various accessories
- low reprocessing costs

## ASSKEA M20

### Technical details



Performance characteristics	Specification
Flow rate (measuring point at suction tube nozzle)	max. 18 l/min $\pm$ 2 l/min
Vacuum	max. -90 kPa
Canister	reusable secretion canister system (1 l) disposable secretion canister system (1 l)
Suction tube	$\varnothing$ 6 mm (internal), length 150 cm
CE marking	CE 0494
Dimensions of the device without accessories (H x W x D) [in mm]	290 x 259 x 130
Weight (device without accessories)	3,1 kg
Operating time	45 minutes ON, 10 minutes OFF
Item number	1000033EW (device with disposable secretion canister system) 1000033MW (device with reusable secretion canister system)